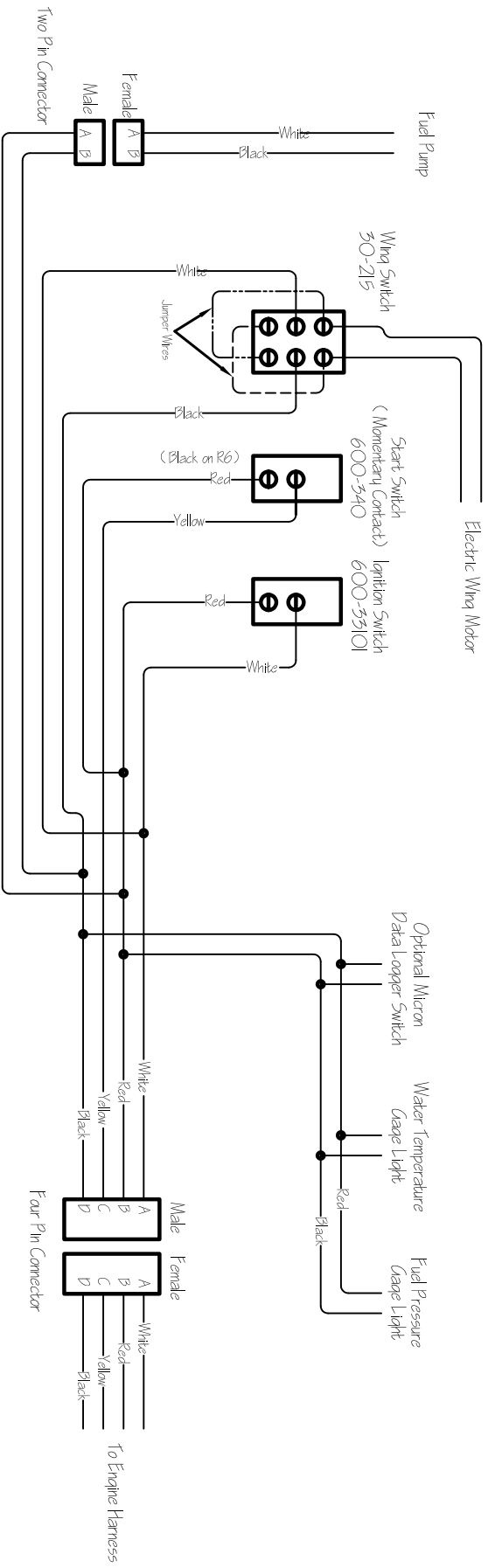


HMPER

Chassis Harness Wiring Diagram



-Ground main engine harness to engine block with negative battery cable
 -The only difference with the Yamaha chassis harness is the red wire on the push start button switch will be black

Chassis Harness to Engine Harness Chart

2003 & 2004 Kawasaki	
White	White
Red	Brown
Yellow	Yellow/Red
Black	Black to Ground

Suzuki	
White	Red
Red	Orange/White
Yellow	Yellow/Green
Black	Black to Ground

2005 Kawasaki	
White	White
Red	Brown
Yellow	Black/Red
Black	Black to Ground

Yamaha R6	
White	Red
Red	Red/White
Yellow	Blue/White
Black	Black to Ground

Honda F4i, R2, F2 & F3	
White	Red
Red	Black/White
Yellow	Yellow/Red
Black	Black to Ground