
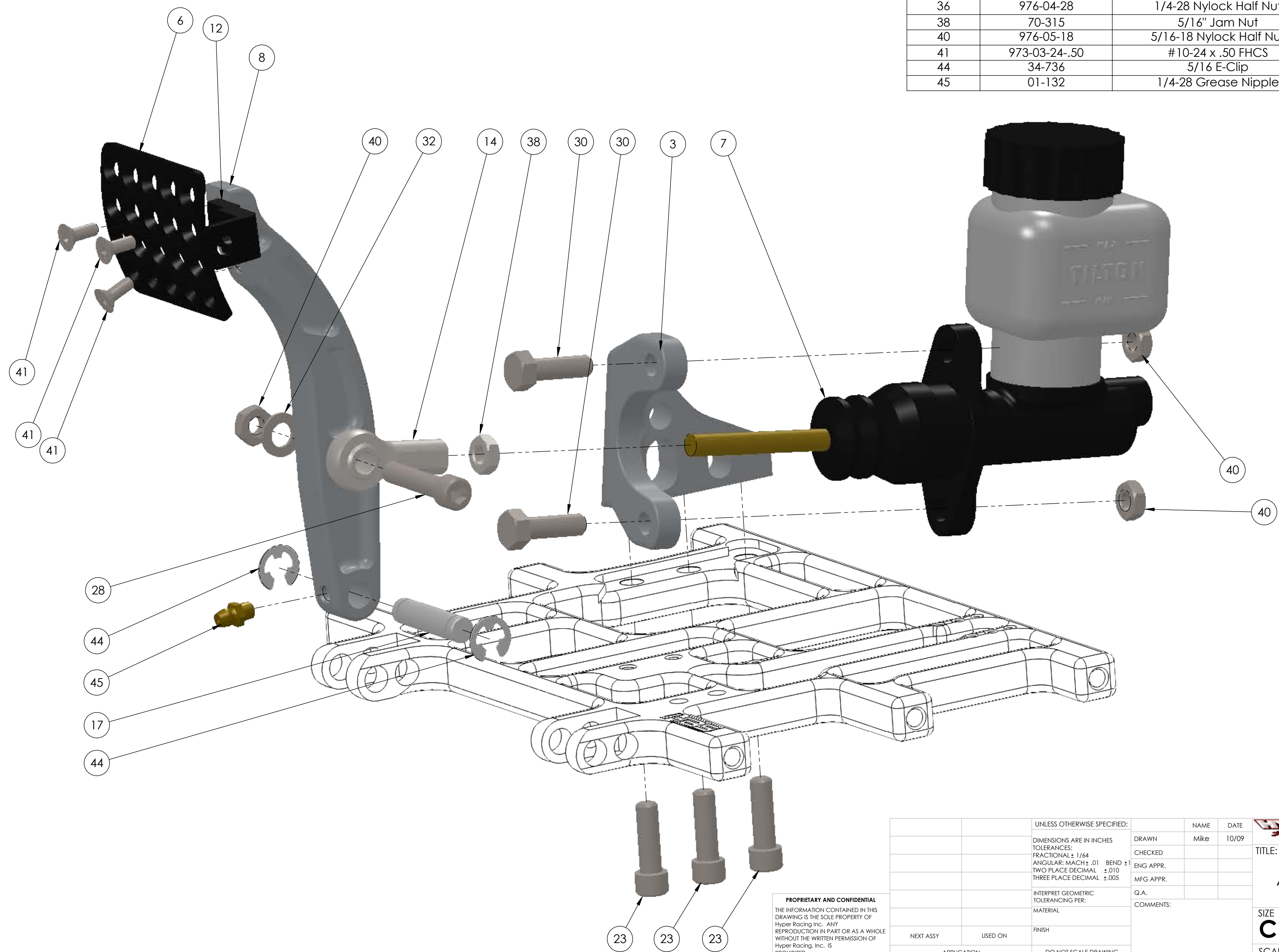


ITEM NO.	PART NUMBER	DESCRIPTION	2nd Exploded View/QTY.
2	34-640	SUPPORT, THROTTLE LINKAGE	1
4	34-601	PEDAL, THROTTLE, ADJUSTABLE	1
6	34-610	PEDAL PUSH PLATE	2
10	34-650	THROTTLE CABLE RETAINER	1
11	34-645	LEVER, THROTTLE LINKAGE	1
12	34-611	FOOT STOP	2
15	04-520	THROTTLE LINKAGE BEARING	2
16	34-710	1/4 X 7/16 THR LINKAGE SPACER	1
17	34-735	PEDAL PIN	2
18	34-705	3/16 X 1/4 THR LINKAGE SPACER	1
19	34-700	3/16 X 1/8 THR LINKAGE SPACER	1
20	71-CMR3	3/16 MALE ROD END RIGHT HAND	1
21	71-CFR3	3/16 FEMALE ROD END	1
24	972-04-20-1.75	#10-24 X .75 SHCS	1
25	972-10-24-1.625	#10-24 X 1.625 SHCS	1
26	972-04-28-1.50	1/4-28 X 1.50 SHCS	1
27	972-03-24-.875	10-24 X 7/8 SHCS	2
29	972-03-24-.25	#10-24 X .25 SHCS	1
33	975-04 ANFW	1/4 AN WASHER	1
34	975-03-ANFW	#10 AN FLAT WASHER	2
35	977-05-24	#10-24 NYLOC HALF NUT	3
36	976-04-28	1/4-28 NYLOCK FULL NUT	1
37	977-05-24	5/16-24 NYLOCK FULL NUT	1
41	973-03-24-.50	#10-24 X .50 FHCS	8
42	973-04-20-.75	1/4-20 X .75 FHCS	2
44	34-736	5/16 E-CLIP	4
45	01-132	1/4-28 GREASE NIPPLE	2
46	34-730	TORSION THROTTLE RETURN SPRING	1
47	980-03-24-.25	#10-24 X 1/4 SET SCREW	1
48	T-60	PEDAL ASSEMBLY TAB	4

PROPRIETARY AND CONFIDENTIAL
 THE INFORMATION CONTAINED IN THIS DRAWING IS THE SOLE PROPERTY OF Hyper Racing Inc. ANY REPRODUCTION IN PART OR AS A WHOLE WITHOUT THE WRITTEN PERMISSION OF Hyper Racing, Inc. IS PROHIBITED.

UNLESS OTHERWISE SPECIFIED:		NAME	DATE	 Hyper Racing Inc. 580 Grandview Drive Lewisberry, PA 17339	
DIMENSIONS ARE IN INCHES		DRAWN	Mike		10/09
TOLERANCES:		CHECKED			
FRACTIONAL ± 1/64 ANGULAR: MACH ± .01 BEND ± 1 TWO PLACE DECIMAL ± .010 THREE PLACE DECIMAL ± .005		ENG APPR.			
INTERPRET GEOMETRIC TOLERANCING PER:		Q.A.			
MATERIAL		COMMENTS:			
NEXT ASSY	USED ON	FINISH			
APPLICATION		DO NOT SCALE DRAWING			
TITLE:		Adjustable Pedal Assembly w/ Master Cylinder			
SIZE	DWG. NO.	REV			
C	34-598				
SCALE: 1:2	WEIGHT:	SHEET 1 OF 4			

ITEM NO.	PART NUMBER	DESCRIPTION	3rd Exploded View/QTY.
3	34-660	Brake Mount	1
6	34-610	Pedal Push Plate	2
7	36-003	Tilton 5/8 Master Cylinder	3
8	34-600	Pedal, Brake Adjustable	1
12	34-611	Foot Stop	2
14	71-CFR5	5/16" Female Right Hand Rod End	1
15	04-520	Throttle Linkage Bearing	2
17	34-735	Pedal Pin	2
23	972-05-18-1.00	5/16-18 x 1.00 SHCS	3
28	972-05-18-1.50	5/16-18 x 1.50 SHCS	1
30	971-05-18-1.00	5/16-18 x 1.00 HHCS	6
32	975-05-ANFW	5/16 AN Washer	5
36	976-04-28	1/4-28 Nylock Half Nut	1
38	70-315	5/16" Jam Nut	1
40	976-05-18	5/16-18 Nylock Half Nut	3
41	973-03-24-.50	#10-24 x .50 FHCS	8
44	34-736	5/16 E-Clip	4
45	01-132	1/4-28 Grease Nipple	2



PROPRIETARY AND CONFIDENTIAL
 THE INFORMATION CONTAINED IN THIS DRAWING IS THE SOLE PROPERTY OF Hyper Racing Inc. ANY REPRODUCTION IN PART OR AS A WHOLE WITHOUT THE WRITTEN PERMISSION OF Hyper Racing, Inc. IS PROHIBITED.

UNLESS OTHERWISE SPECIFIED:		NAME	DATE
DIMENSIONS ARE IN INCHES		Mike	10/09
TOLERANCES:			
FRACTIONAL ± 1/64			
ANGULAR: MACH ± .01 BEND ± 1			
TWO PLACE DECIMAL ± .010			
THREE PLACE DECIMAL ± .005			
INTERPRET GEOMETRIC TOLERANCING PER:		Q.A.	
MATERIAL		COMMENTS:	
FINISH			
NEXT ASSY	USED ON		
APPLICATION	DO NOT SCALE DRAWING		

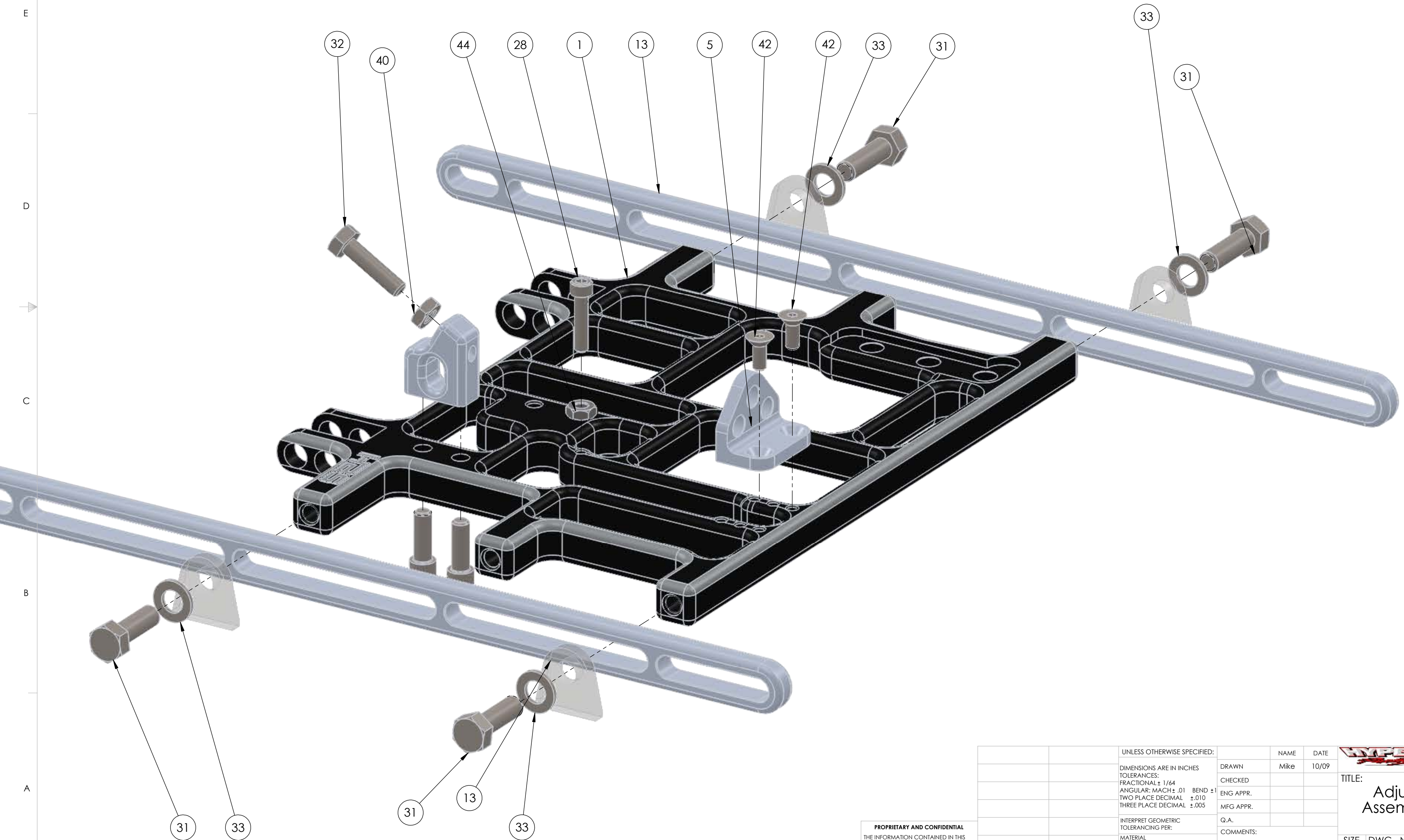
Hyper Racing Inc.
 580 Grandview Drive
 Lewisberry, PA 17339

TITLE:
 Adjustable Pedal Assembly w/ Master Cylinder

SIZE	DWG. NO.	REV
C	34-598	

SCALE: 1:2 WEIGHT: SHEET 2 OF 4

ITEM NO.	DESCRIPTION	Final Assembly/QTY.	PART NUMBER
1	Base Plate	1	34-620
5	Base, Throttle Cable	1	34-680
13	Rail, Pedal Assembly	2	34-690
28	10-24 x 7/8 SHCS	2	972-03-24-.875
31	5/16-18 x 1.00 HHCS	6	971-05-18-1.00
32	1/4-20 x 1.00 HHCS	1	971-04-20-1.00
33	5/16 AN Washer	5	975-05-ANFW
37	1/4-28 Nylock Half Nut	1	976-04-28
40	1/4-20 Jam Nut	1	976-04-20
42	#10-24 x .50 FHCS	8	973-03-24-.50
44	5/16-24 Nylock Full nut	1	977-05-24



PROPRIETARY AND CONFIDENTIAL
 THE INFORMATION CONTAINED IN THIS DRAWING IS THE SOLE PROPERTY OF Hyper Racing Inc. ANY REPRODUCTION IN PART OR AS A WHOLE WITHOUT THE WRITTEN PERMISSION OF Hyper Racing, Inc. IS PROHIBITED.

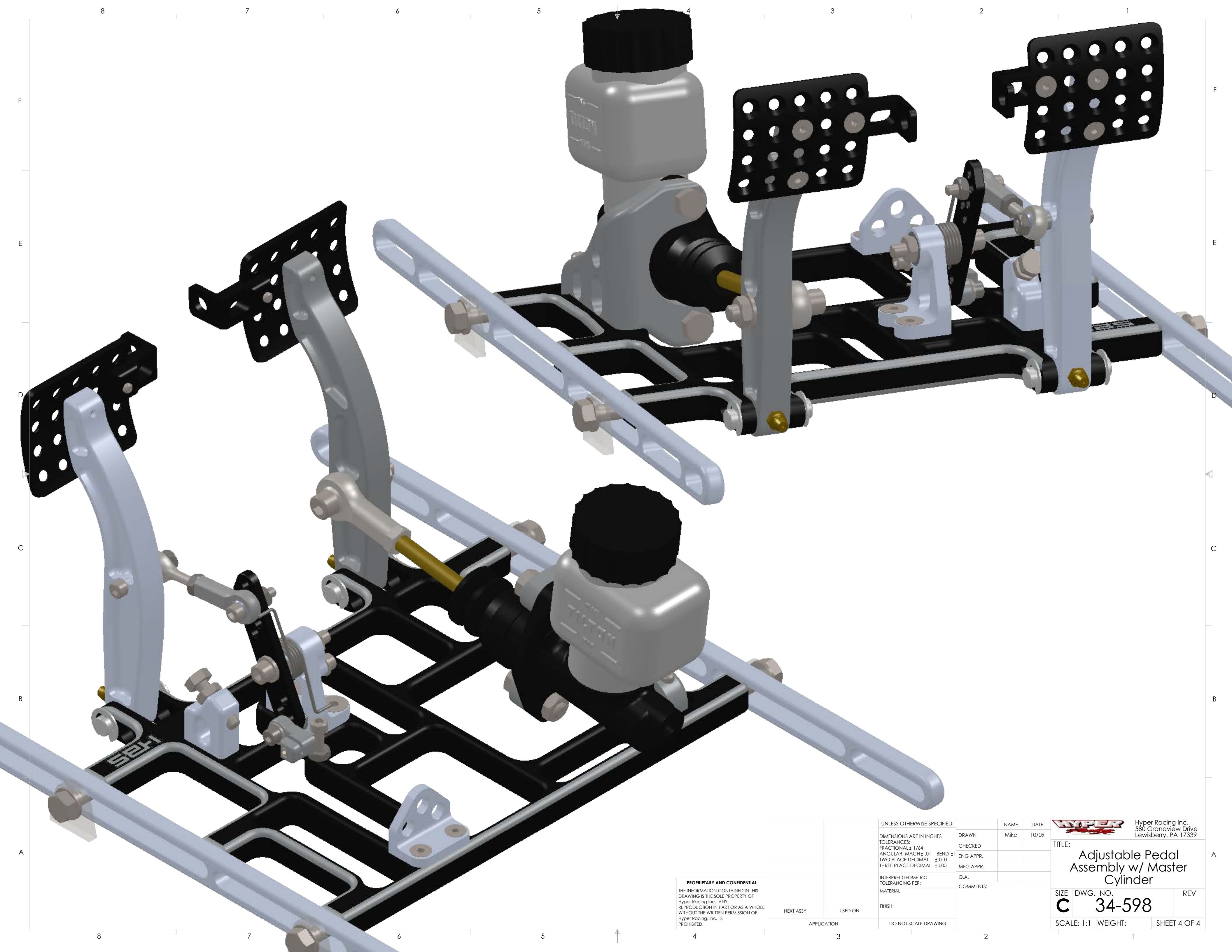
UNLESS OTHERWISE SPECIFIED:		NAME	DATE
DIMENSIONS ARE IN INCHES		Mike	10/09
TOLERANCES:		DRAWN	
FRACTIONAL ± 1/64		CHECKED	
ANGULAR: MACH ± .01 BEND ± 1		ENG APPR.	
TWO PLACE DECIMAL ± .010		MFG APPR.	
THREE PLACE DECIMAL ± .005		Q.A.	
INTERPRET GEOMETRIC TOLERANCING PER:		COMMENTS:	
MATERIAL			
FINISH			
NEXT ASSY	USED ON		
APPLICATION	DO NOT SCALE DRAWING		

Hyper Racing Inc.
 580 Grandview Drive
 Lewisberry, PA 17339

TITLE:
 Adjustable Pedal Assembly w/ Master Cylinder

SIZE DWG. NO. REV
C 34-598

SCALE: 1:1 WEIGHT: SHEET 3 OF 4



PROPRIETARY AND CONFIDENTIAL
 THE INFORMATION CONTAINED IN THIS DRAWING IS THE SOLE PROPERTY OF Hyper Racing Inc. ANY REPRODUCTION IN PART OR AS A WHOLE WITHOUT THE WRITTEN PERMISSION OF Hyper Racing, Inc. IS PROHIBITED.

		UNLESS OTHERWISE SPECIFIED:		NAME	DATE
		DIMENSIONS ARE IN INCHES	DRAWN	Mike	10/09
		TOLERANCES:	CHECKED		
		FRACTIONAL ± 1/64	ENG APPR.		
		ANGULAR: MACH ± .01 BEND ± 1	MFG APPR.		
		TWO PLACE DECIMAL ± .010			
		THREE PLACE DECIMAL ± .005			
		INTERPRET GEOMETRIC TOLERANCING PER:	Q.A.		
		MATERIAL	COMMENTS:		
		FINISH			
NEXT ASSY	USED ON				
APPLICATION		DO NOT SCALE DRAWING			

HYPER Hyper Racing Inc.
 580 Grandview Drive
 Lewisberry, PA 17339

TITLE:
Adjustable Pedal Assembly w/ Master Cylinder

SIZE	DWG. NO.	REV
C	34-598	
SCALE: 1:1	WEIGHT:	SHEET 4 OF 4