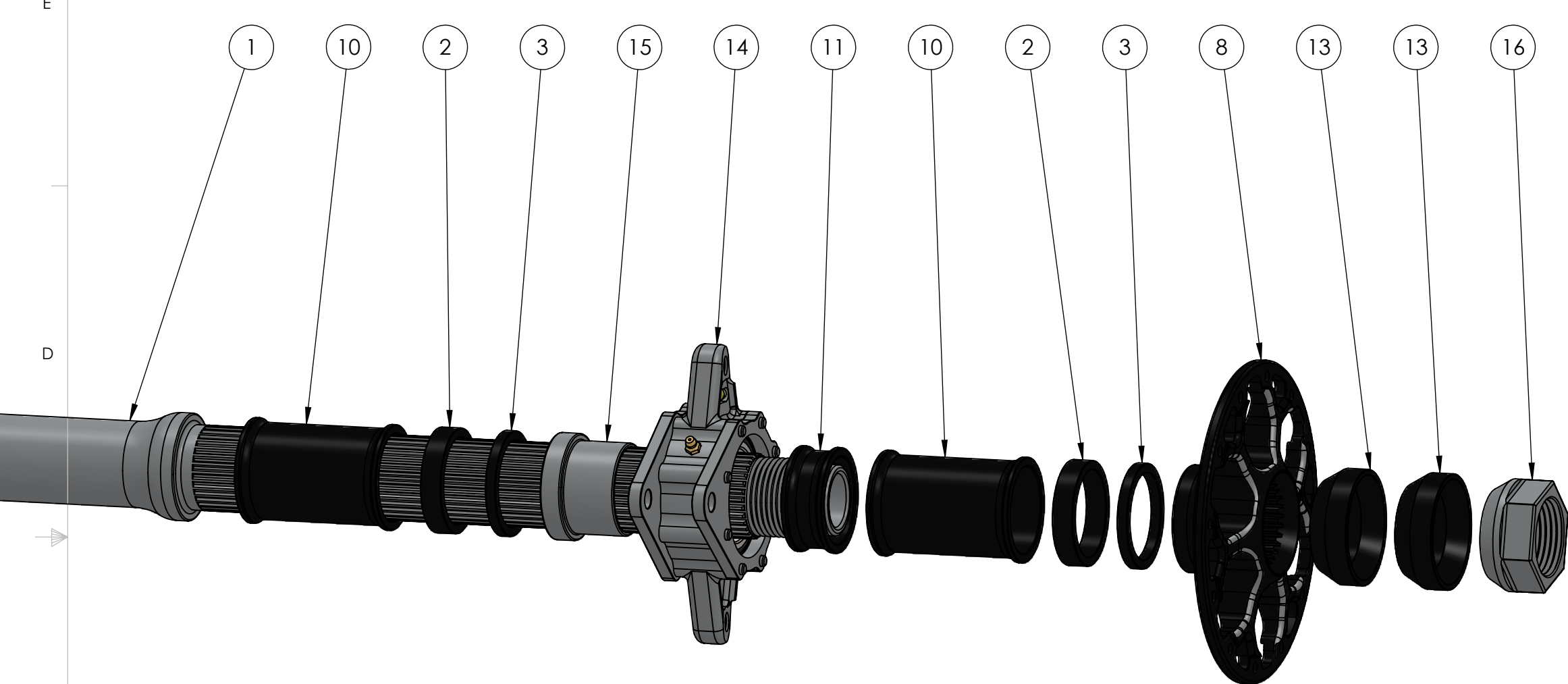


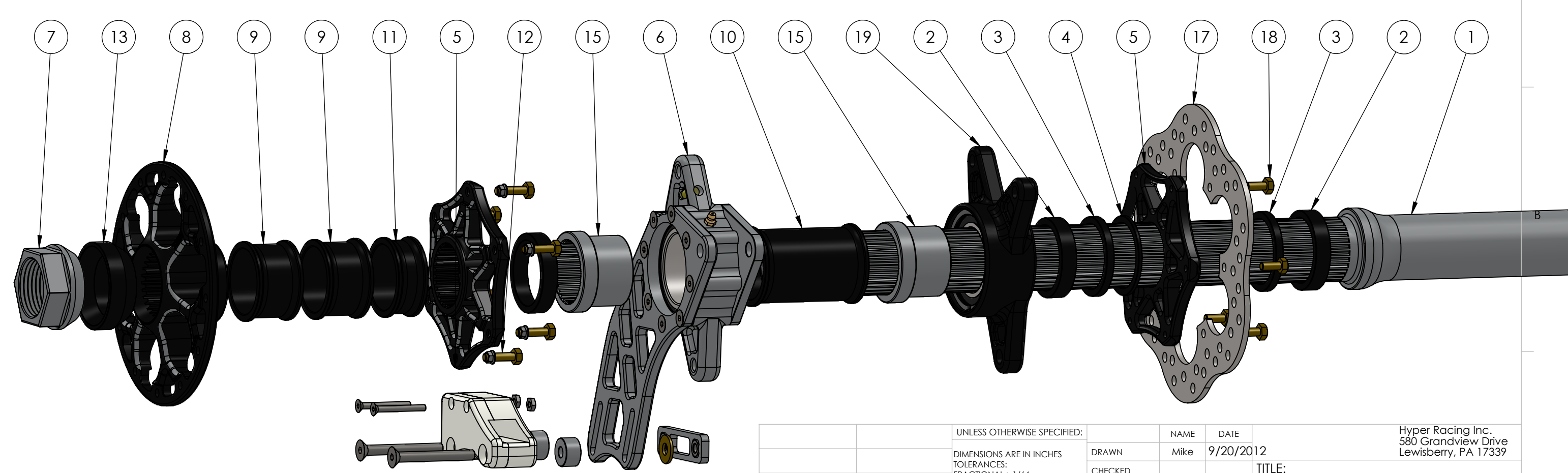
# 2013 Hyper X6 600cc 2" Jacob's Ladder Rear Axle Assembly

## Right Side



ITEM NO.	PART NUMBER	DESCRIPTION	QTY.
1	06-100	2" x 53" Standard Splined Rear Axle	1
2	061-050	1/2" Long 2" Axle Spacer	5
3	061-025	1/4" Long 2" Axle Spacer	4
4	061-0125	1/8" Long 2" Axle Spacer	1
5	06-300	2" Sprocket Carrier/Brake Hub	2
6	06-1131	2TLC Bearing Carrier with .50" Spacers	1
7	06-132	2" Axle Nut, Right Hand Thread 2-1/4" Hex	1
8	25-605	2" HBS Splined Rear Wheel Center	2
9	061-150	1-1/2" long 2" Axle Spacer	2
10	061-350	3-1/2" long 2" Axle Spacer	3
11	061-100	1" long 2" Axle Spacer	2
12	08-760	Sprocket Bolt Kit	1
13	062-050	062-050 1/2"	3
14	06-1127	2" Bearing Carrier 2TRJX6, Right Side Torsion Jacob's Ladder X6.	1
15	06-114	2" Splined Bearing Reducer	3
16	06-134	2" Axle Nut, Left Hand Thread 2-1/4" Hex	1
17	06-142	Lightweight Steel Brake Rotor 9-1/4" x 3/16"	1
18	06-143	6 Bolt Brake Rotor Bolt Kit	1
19	05-1062	1-3/4" Axle Brake Floater Double Wide	1

## Left Side



- Note:**
1. Black Anodize
  2. Post Machine Where Shown

**PROPRIETARY AND CONFIDENTIAL**  
THE INFORMATION CONTAINED IN THIS DRAWING IS THE SOLE PROPERTY OF Hyper Racing Inc. ANY REPRODUCTION IN PART OR AS A WHOLE WITHOUT THE WRITTEN PERMISSION OF Hyper Racing, Inc. IS PROHIBITED.

UNLESS OTHERWISE SPECIFIED:		NAME	DATE	Hyper Racing Inc. 580 Grandview Drive Lewisberry, PA 17339	
DIMENSIONS ARE IN INCHES		DRAWN	Mike		9/20/2012
TOLERANCES:		CHECKED			
FRACTIONAL ± 1/64		ENG APPR.			
ANGULAR: MACH ± .01		MFG APPR.			
BEND ±		Q.A.			
TWO PLACE DECIMAL ± .010		COMMENTS:			
THREE PLACE DECIMAL ± .005					
INTERPRET GEOMETRIC TOLERANCING PER:					
MATERIAL					
FINISH					
NEXT ASSY	USED ON				
APPLICATION	DO NOT SCALE DRAWING				

**TITLE:** 2013 & Up X6 600cc 2" Jacob's Ladder Rear Axle Assembly

SIZE DWG. NO. REV  
**C** 06-050 X6 Jacob's 2"

SCALE: 1:12 WEIGHT: SHEET 1 OF 1