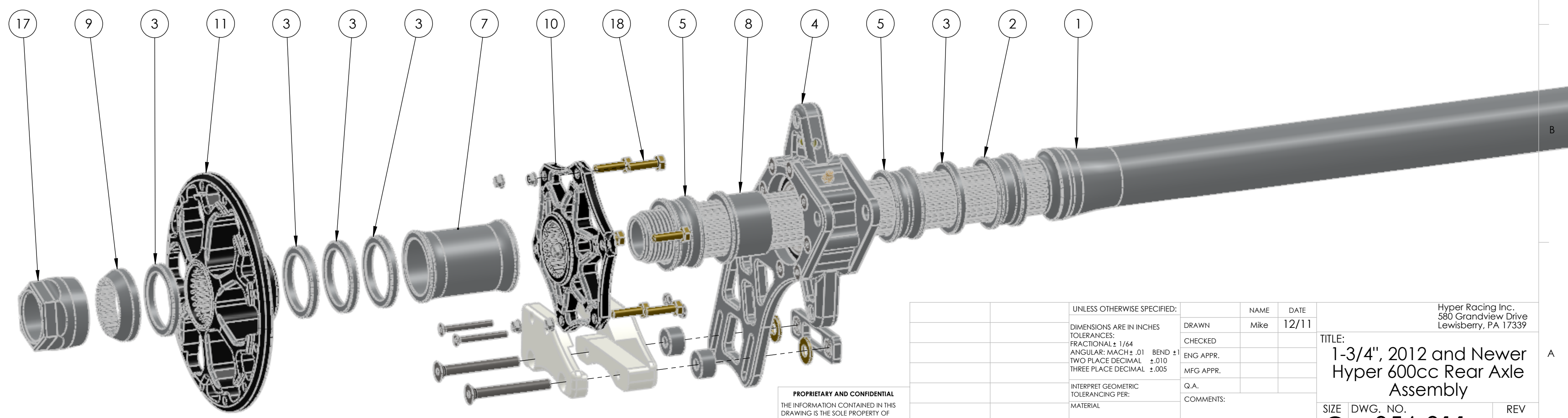
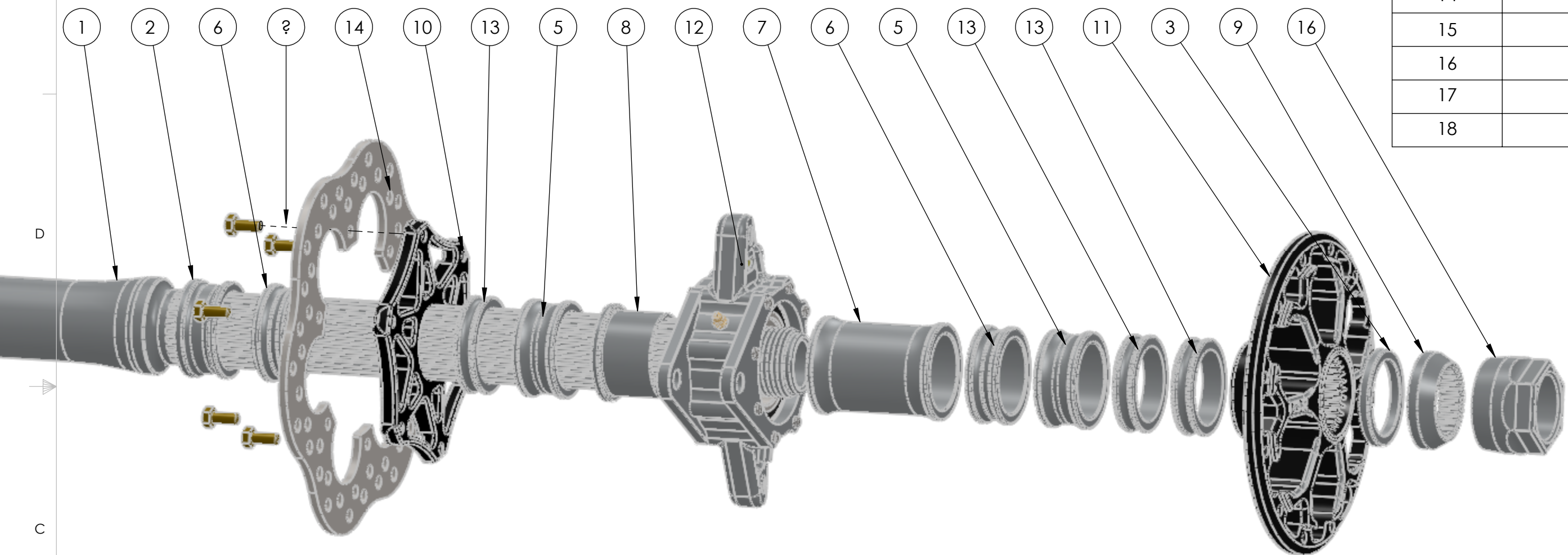


ITEM NO.	PART NUMBER	DESCRIPTION	QUANTITY
1	05-1012	1-3/4" x 53" Standard Splined Rear Axle	1
2	055-1001	Radiused Shoulder Axle Spacer, 1.00"	2
3	055-0250	1/4" Axle Spacer, Flat	6
4	05-1126	05-1126 with .50" Spacers	1
5	055-1000	1" long Axle Spacer	4
6	055-0750	3/4" long Axle Spacer	2
7	055-3000	3" long Axle Spacer	2
8	05-131	Splined Reducer for Double Bearing	2
9	05-155	Splined 5/8" x 30 Degree Tapered End Spacer	2
10	05-102	Splined Sprocket Carrier/6 Bolt Brake Rotor	2
11	25-528	HBS 1-3/4" Rear Wheel Center	2
12	05-1128	Bearing Carrier TR9, Torsion for 9-1/4" Brake Rotor.	1
13	055-0500	1/2" Axle Spacer, Flat	3
14	06-142	Lightweight Steel Brake Rotor 9-1/4" x 3/16"	1
15	06-143	6 Bolt Brake Rotor Bolt Kit	1
16	05-134	Axle Nut, Left Hand Thread 1.9"	1
17	05-132	Axle Nut, Right Hand Thread 1.9"	1
18	08-760	Sprocket Bolt Kit	1



**PROPRIETARY AND CONFIDENTIAL**  
 THE INFORMATION CONTAINED IN THIS DRAWING IS THE SOLE PROPERTY OF Hyper Racing Inc. ANY REPRODUCTION IN PART OR AS A WHOLE WITHOUT THE WRITTEN PERMISSION OF Hyper Racing, Inc. IS PROHIBITED.

UNLESS OTHERWISE SPECIFIED:		DRAWN	NAME	DATE	Hyper Racing Inc. 580 Grandview Drive Lewisberry, PA 17339
DIMENSIONS ARE IN INCHES		CHECKED	Mike	12/11	
TOLERANCES:		ENG APPR.			
FRACTIONAL: ± 1/64		MFG APPR.			
ANGULAR: MACH ± .01		Q.A.			TITLE: 1-3/4", 2012 and Newer Hyper 600cc Rear Axle Assembly
BEND ± 1		COMMENTS:			
TWO PLACE DECIMAL ± .010					SIZE DWG. NO. REV
THREE PLACE DECIMAL ± .005					<b>C</b> 056-011
INTERPRET GEOMETRIC TOLERANCING PER:					SCALE: 4:10 WEIGHT: SHEET 1 OF 1
MATERIAL					
FINISH					
NEXT ASSY	USED ON				
APPLICATION	DO NOT SCALE DRAWING				