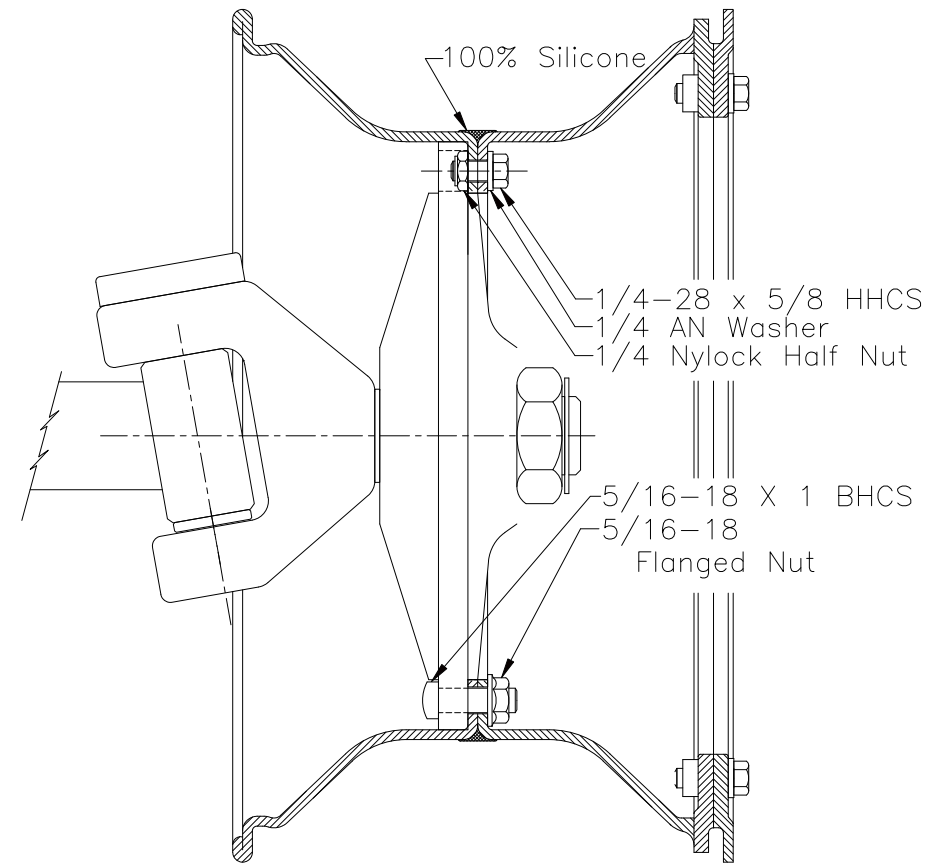


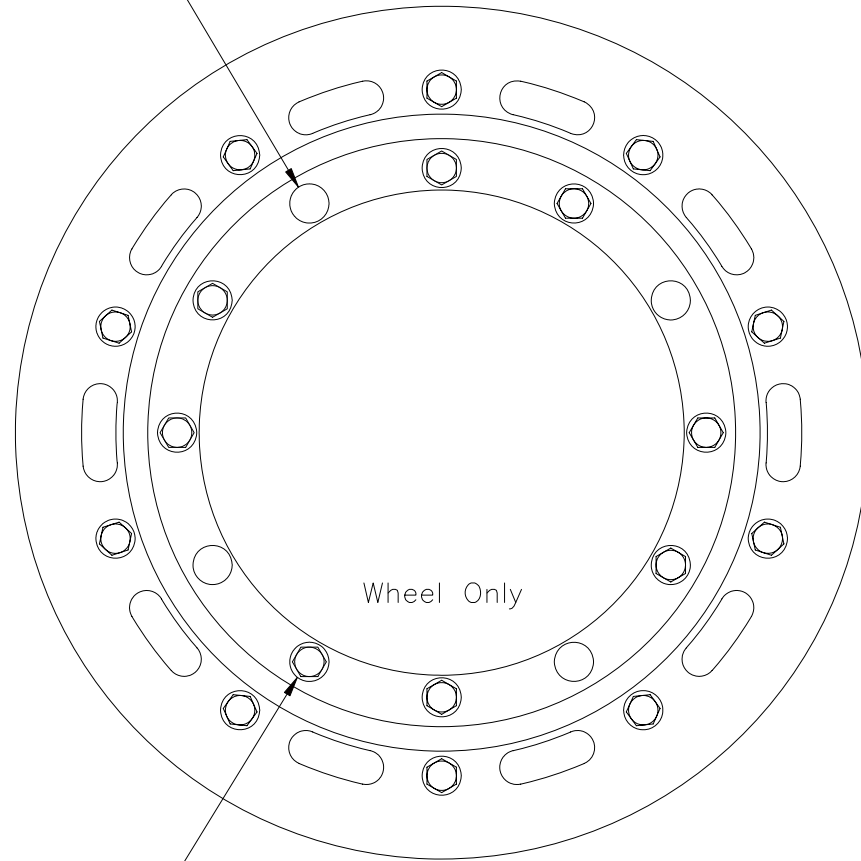
# Hyper Front Wheel Bolt Pattern Diagram

Copyright - Hyper Racing, Inc. - 2002

Use 100% silicone to seal the two halves together. Apply a bead around the entire seam then use a piece of cardboard as a squeegee to smooth it out.



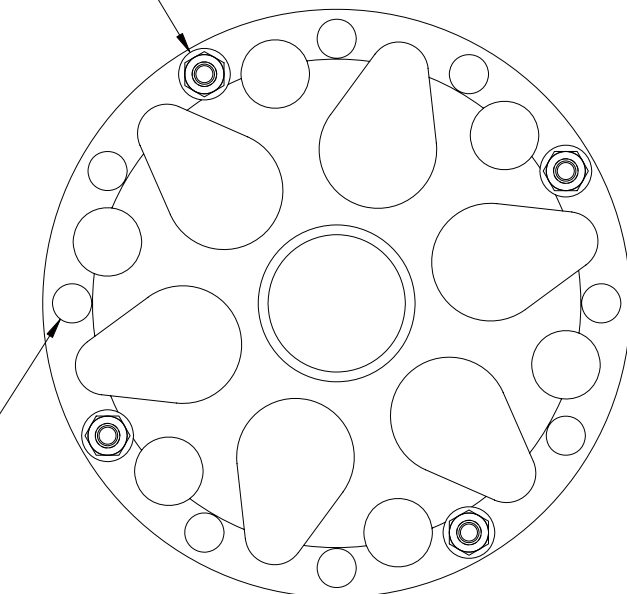
11/32 Thru Hole  
4 Places  
These are the holes that the 5/16 bolts of the center fit through



1/4-28 x 5/8 HHCS  
1/4 AN Washer  
1/4 Nylock Half Nut  
8 Places

5/16-18 X 1 BHCS  
5/16-18 Flanged Nut  
4 Places

1/2 Thru Hole  
8 Places



**Note:**

The 5/16-18 x 1 BHCS is threaded through the back of the wheel center. Use blue or red lock tight when replacing this screw.

If the outside half did not come with a hole for the valve stem, drill a 7/16" hole through the horizontal part of the outside half.