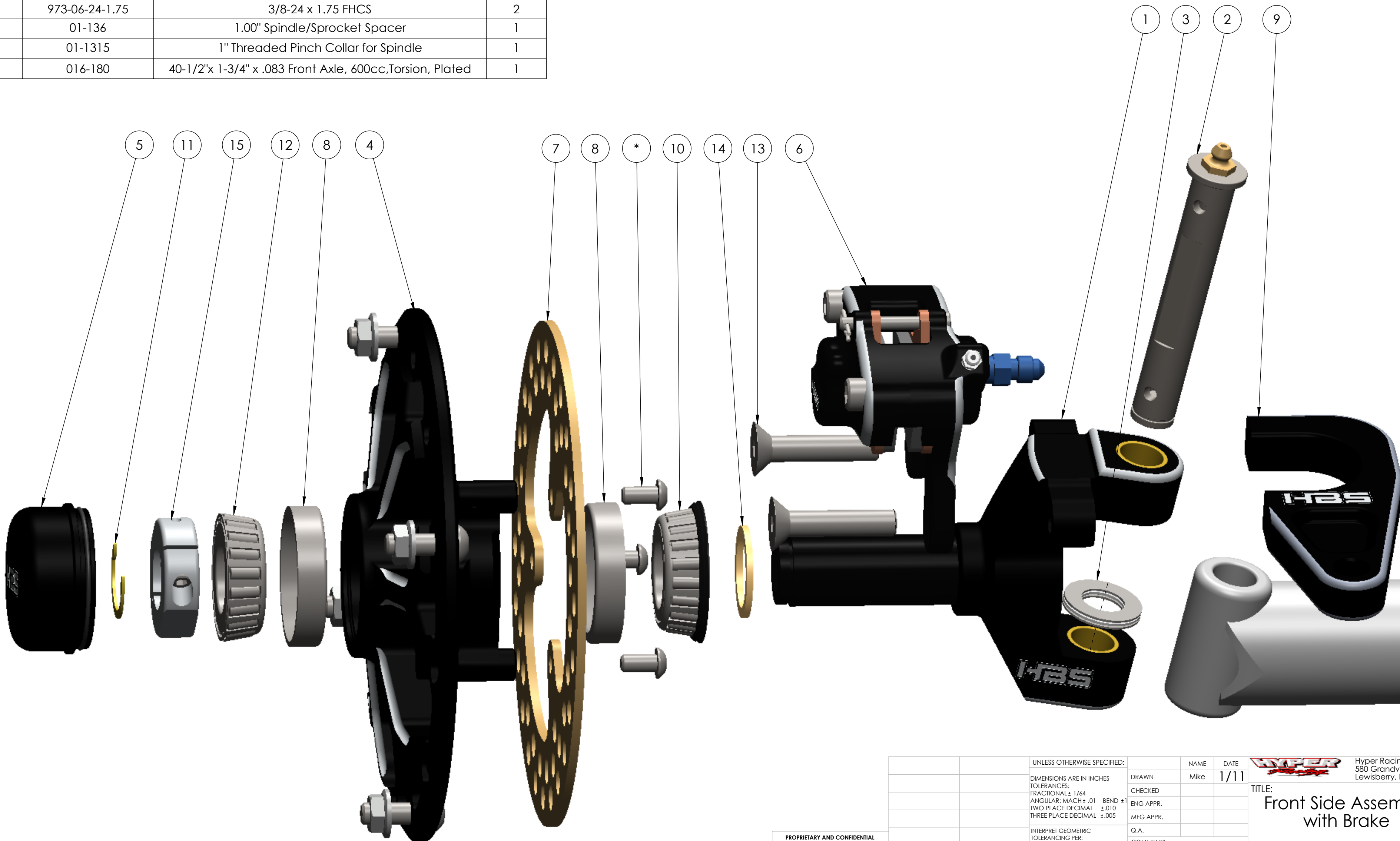


ITEM NO.	PART NUMBER	DESCRIPTION	QTY.
1	01-090	HBS Deluxe Spindle	1
2	01-092	Kingpin for HBS Deluxe Spindles	1
3	01-095	Thrust Bearing Assembly	1
4	25-522	HBS Wheel Center Front w/ Brake Mounts	1
5	25-545	Dust Cap for Deluxe Wheel	1
6	366-050	HBS Left Front Brake Caliper	1
7	366-2965	Rotor for LF Brake, 3 Bolt, 1/8" Thick	1
8	25-5042	Outer Bearing Cone/Race for Tapered Roller bearing	2
9	16-194	Steering Arm for Deluxe Spindle, Axle Mount Steering Box	1
10	25-5043	1" Tapered Bearing, Inner w/ seal	1
11	01-137	Spindle C-ring	1
12	25-5044	1" Tapered Bearing, Inner w/ seal	1
13	973-06-24-1.75	3/8-24 x 1.75 FHCS	2
14	01-136	1.00" Spindle/Sprocket Spacer	1
15	01-1315	1" Threaded Pinch Collar for Spindle	1
16	016-180	40-1/2"x 1-3/4" x .083 Front Axle, 600cc,Torsion, Plated	1



PROPRIETARY AND CONFIDENTIAL
 THE INFORMATION CONTAINED IN THIS DRAWING IS THE SOLE PROPERTY OF Hyper Racing Inc. ANY REPRODUCTION IN PART OR AS A WHOLE WITHOUT THE WRITTEN PERMISSION OF Hyper Racing, Inc. IS PROHIBITED.

UNLESS OTHERWISE SPECIFIED:		NAME	DATE
DIMENSIONS ARE IN INCHES		Mike	1/11
TOLERANCES:		CHECKED	
FRACTIONAL ± 1/64		ENG APPR.	
ANGULAR: MACH ± .01 BEND ± 1		MFG APPR.	
TWO PLACE DECIMAL ± .010		Q.A.	
THREE PLACE DECIMAL ± .005		COMMENTS:	
INTERPRET GEOMETRIC TOLERANCING PER:			
MATERIAL			
FINISH			
NEXT ASSY	USED ON		
APPLICATION	DO NOT SCALE DRAWING		

Hyper Racing Inc.
 580 Grandview Drive
 Lewisberry, PA 17339

TITLE:
 Front Side Assembly with Brake

SIZE	DWG. NO.	REV
C	01-0050	

SCALE: 1:1 WEIGHT: SHEET 1 OF 1